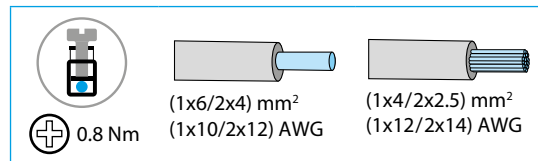
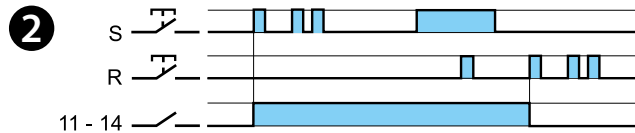
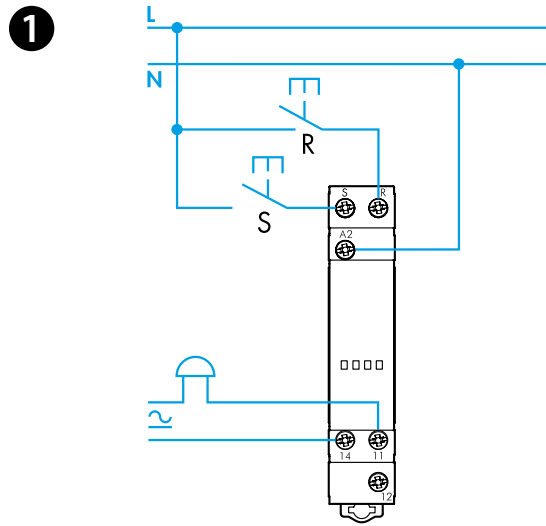
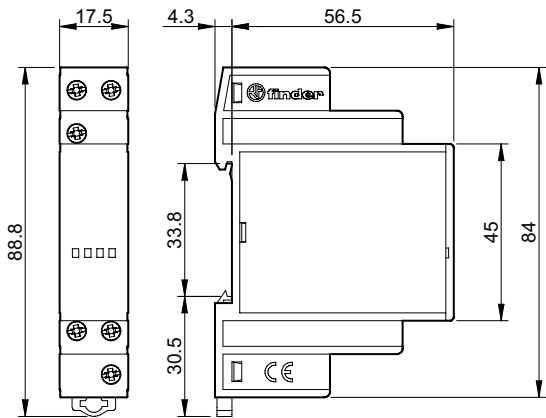




13.11

	13.11.8.230.0000 U_N (230...240)V AC (50/60 Hz) U_{min} 184 V AC U_{max} 264 V AC P 1.7 VA / 0.7 W
	1CO (SPDT) 12 A 250 V AC AC1 3000 VA AC15 (230 V AC) 750 VA (230 V AC) 1200 W (230 V AC) 400 W CFL-LED (230 V) 300 W
	(-10...+60)°C
IP20	



ENGLISH

13.11 CALL & RESET RELAY

1 WIRING DIAGRAM (example)

2 FUNCTION

Verify that the load applied is compatible with a continuous supply

NOTE

Maximum impulse duration: 10 s (100 ms minimum)
Max cable length for push-button connection: 100 m